

# AF-60 Mask Type NBC Filtration System



## AF-60 MASK TYPE NBC FILTRATION SYSTEM

AF-60 Masked Type CBRN System is ergonomically designed in accordance with standard MIL-STD-1472 and manufactured in accordance with standards such as NATO AEP-54, MIL-STD-810 and MIL-STD-461 requirements by NERO engineers .

With the AF-60 Masked Type CBRN System with an air flow rate of 60m<sup>3</sup>/h, adjustable filtered clean air is transmitted to each user in the vehicle with masks connected to separate lines, ensuring the protection of personnel from chemical, biological, radiological and nuclear threats. The Gas and Particulate filters in the system are designed to be easily disassembled and mounted, thus providing maximum speed in the war zone area.

### TECHNICAL SPECIFICATIONS

Air Flow Rate	60m <sup>3</sup> /h (35cfm)
Operating Temperature	-32°C — +49°C
Storage Temperature	-40°C — +63°C
Operating Voltage	28V DC
Current	Max. 7,5A @ 24V DC
Weight	~25kg
Dimensions	330 x 370 x 440 mm (Width x Depth x Height)
Filters	HEPA filter for particule filtration Active carbon filter for gas filtration
Number of personnel that can be protected by the system	7 (opsiyonel)

### MIL-STD-810

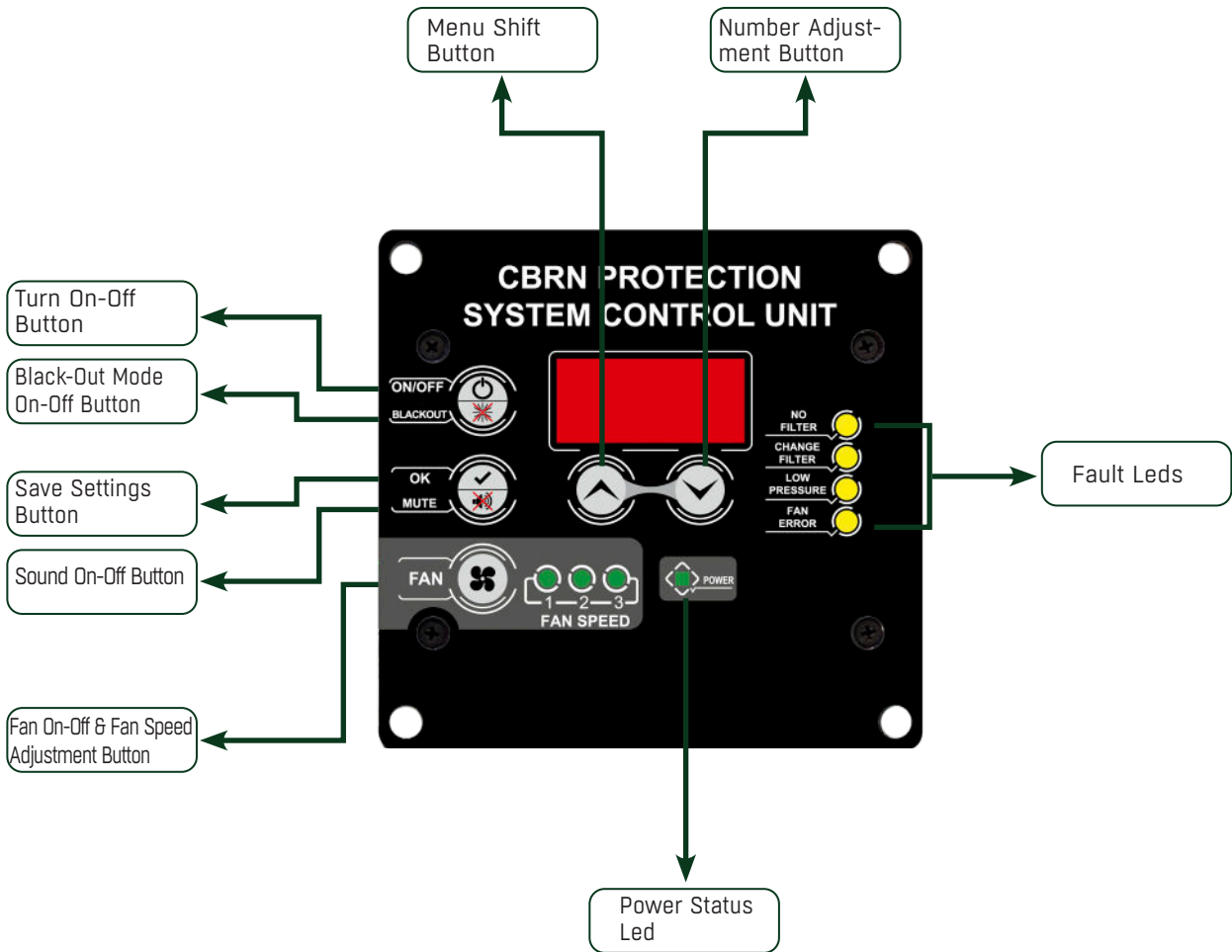
- Low Temperature Storage
- Low Temperature Operation
- High Temperature Storage
- High Temperature Operation
- Low Pressure(Altitude)
- Vibration (Profile: NATO STANAG-4370  
AECTP-400 Ed.3, Figür B-4)
- Shock ( Prosedür I, Fonksiyonel Şok )
- \* Shock Time: TD= 11ms
- \* Max. Accelaration: TP= 40g
- \* Shock Profile: Saw tooth
- Humidty

### MIL-STD-461 (Ground, Army)

- CE102
- CS101
- CS114
- CS115
- CS116
- RE102
- RS103

ANSI/ASME IPC/WHMA-A-620  
NATO AEP-54 VG 95343 Part 14  
MIL-PRF-14512 MIL-DTL-38999  
MIL-F-52011F

## BUTTON SPECIFICATIONS



## TECHNICAL SPECIFICATIONS

Communication	Canbus
Filter Pre Counter	Yes
Pressure Display	Digital
Buzzer	Yes
Fan Speed Control	3 Levels
Low Pressure Fault	Yes
Fan Fault	Yes
Manuel Test	Yes
AEP54	Compliant