



BIOLOGICAL DETECTION SYSTEM

BIOLOGICAL DETECTION SYSTEM

Biological Threat is a particular source of concern as especially most of the Biological agents are easy to be produced, carried and spread. Most of the diseases caused by Biological agents are quite contagious and in the meantime infected people continue to spread the disease and expand its scope further. As time is required for a biological attack to develop, it can be used as a destructive weapon with its spread.

Early warning, detection and identification of biological weapon attacks, are main biological defense components helping to lighten the consequences.

The main step for detection of a biological threat is "Potential hazard" warning. As a consequence of the warning, samples are collected and the hazard is identified. Identification system can be presented as automatic and manual integrated to air measurement device. After the warning of a potential threat, system sends the measured air in liquid form to test kit without exterminating the biological threat within it and biological agent is detected from the kit.

- Bacteria – Virus – Mould – Fungus biological particle detection and warning is ensured.
- It has Automatic and Semi-automatic instant sample collection and storage unit.
- It stands by 365 days and there is no need for intermediate loading.
- There is automatic instant detection system for 8 different biological age

Charbon (anthrax), plague, ricin (toxic biological agent), botulinum(paralysis), enterotoxin type B(stomach disease), brucella (animal disease- stomach disease), Tularaemia (rodent disease), orthopox (smallpox disease).



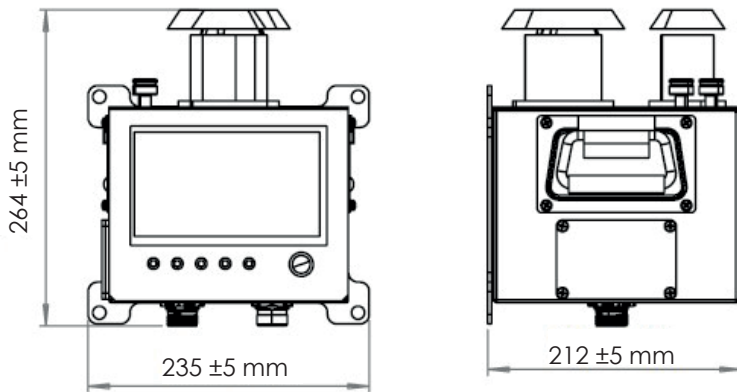
BIOLOGICAL DETECTION SYSTEM

Mars BioReader system offers automatic or manual options.

- **Mars BioReader-Manual Sampling Mode:** Sampling is performed with the help of buffer solution cotton and tube, and the personnel should wear special outfit or take samples behind biological cabin so as not to be exposed to biological agent.
- **Mars BioReader-Auto Sampling Mode:** On automatic mode of the device, the device compounds the sample it takes from the air or from the liquid by straw with buffer solution automatically within the closed tank, drips it on the strip itself, makes the measurement itself and completely decontaminates the strip and the tank itself after the measurement and prepares them for next measurement.

After the sample is collected, strips are loaded to the device and automatic lock mode of the device is activated and it is locked for 60 seconds, it records strip result value to memory with the camera and the results obtained at the strip are logged into the device by using image processing technology and IR-UV lighting features. ID number of the person using the device and real-time GPS location of the device are automatically recorded into the device. The device can transfer this information to HAVELSAN Bridge C4I system in Turkey or can give instant regional warning by sending a notice to AFAD AYDES system.

Biological Detection System can log all biological and chemical and radioactive test measurement strips and papers and visual detectors, record measurement values in the sector.



BIOLOGICAL DETECTION SYSTEM

OPTIONS	
• NE-Z-29337	AYDES Integration
• NE-Z-42835	HAVELSAN Bridge Integration
• NE-Z-47756	GPS Coordinate System
• NE-Z-74844	Automatic Liquid Sampling and Cleaning System
• NE-Z-42822	Automatic Air Sampling and Cleaning System
• NE-Z-43747	User Authorization and Identification System (ID System)
• NE-Z-22827	System of Operation Up to 1 Hour with Changeable Battery

MATERIAL ORDER CODES	
• NE-Z-1167	Manual Measurement System
• NE-Z-1276	Automatic Liquid Module
• NE-Z-1246	Automatic Air Module

ADDITIONAL ACCESSORY MATERIAL ORDER CODES	
• NE-Z-2346	Electrical Air Sampling Kit

CONSUMABLES MATERIAL ORDER CODES	
• NE-Z-31755	Manual Liquid and Solid Sampling Kit
• NE-Z-31445	Manual Air Sampling Kit
• NE-Z-3271	Buffer Solution
• NE-Z-3228	Biological Waste Bag

MEASUREMENT KITS	
• NE-Z-4528	5 pack Biological Diagnosis Kit
• NE-Z-4828	8 pack Biological Diagnosis Kit
• NE-Z-41028	Buffer Solution
• NE-Z-3228	10 pack Biological Diagnosis Kit