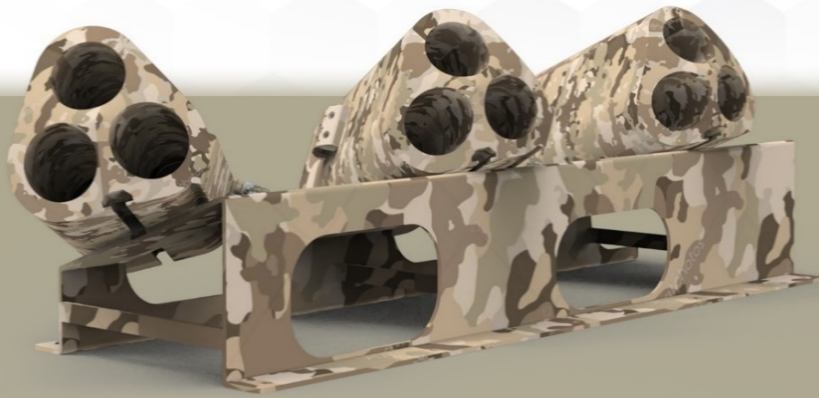


**Unlock Superiority: Elevate with
the Unrivaled 40mm Launcher.**



GRENAD TRILAUNCHER 40_{MM}

- COLOR
- RAL 1000
 - RAL 6003
 - RAL 5002
 - RAL 9010
 - RAL 9005



GRENADE TRILAUNCHER 40 MM

Product Overview

The UMay 37/38-40 mm Tri-Launcher is a state-of-the-art smoke grenade launcher designed for military vehicles. This innovative system addresses the challenges associated with larger launchers (66 mm, 76 mm, 81 mm) by providing a reliable, easy-to-find, and sustainable alternative.

Specifications

Caliber: 37/38-40 mm

Material: High-grade aluminum

Ammunition Types Supported: Over 12 different types

When ammo is placed in the launcher tubes, a warning should display '**Launcher Loaded**'. After the ammo is fired and the tubes are empty, a warning should display '**Launcher Empty**'.

Sensor Technology: Full-empty sensors and microphone system

for launch/misfire detection

Mounting System: Specialized rail system with easy-to-locate brackets

Power Requirements: 9-36VDC, 0.3 Amps during firing

Durability: Capable of more than 5000 firings before maintenance is required

Corrosion Resistance: Up to 1000 hours

Reloading Time: Less than 30 seconds per unit

Standards: Compliant with MIL-STD-810G for environmental engineering and MIL-STD-461G for electromagnetic compatibility

Operational Advantages

Reliability: Overcomes the quality and firing issues found in larger launchers.

Sustainability: Easy access to ammunition ensures long-term operational viability.

User Control: Advanced sensors provide real-time information on the status of each tube, enhancing situational awareness and control.

Ease of Integration: Simplified mounting system reduces installation time and complexity.

Power Efficiency: Low power consumption ensures minimal impact on vehicle power systems.

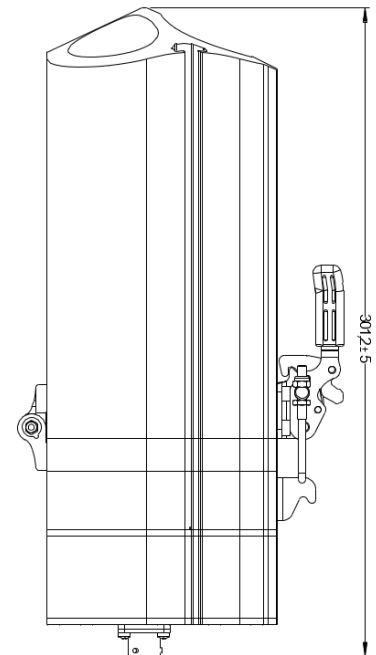
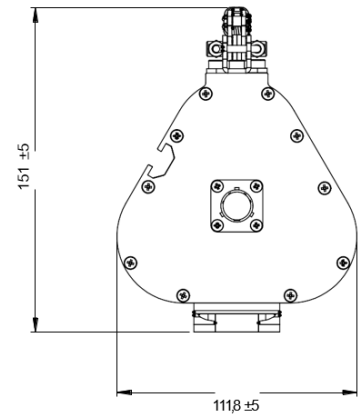
Compliance: Adherence to MIL-STD-810G and MIL-STD-461G ensures performance in extreme conditions and environments.

Durability: Corrosion resistance up to 1000 hours ensures longevity even in harsh environments.

Efficiency: Quick reloading time of less than 30 seconds per unit minimizes operational downtime.

Deployment

The 38-39 mm Tri-Launcher by Nero is currently deployed by security forces and national guards in six different countries, demonstrating its reliability and effectiveness in various operational environments.



MILITARY STANDARDS	A-PWR
MIL-STD 810	B-GND
MIL-STD 461	C-RS485 A
MIL-STD 1275	D-RS485 B
	E-FIRE FIRE FIRE
	F- CANCEL