

# RS 28100 REDRESSOR



## RS 28100 REDRESSOR



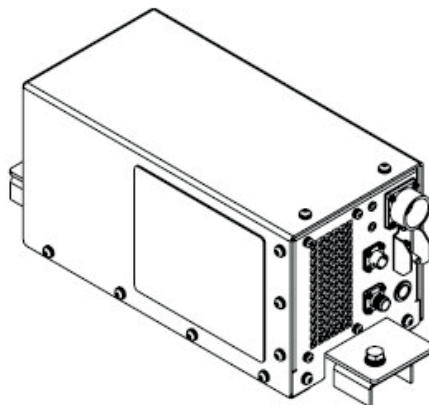
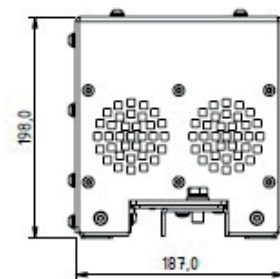
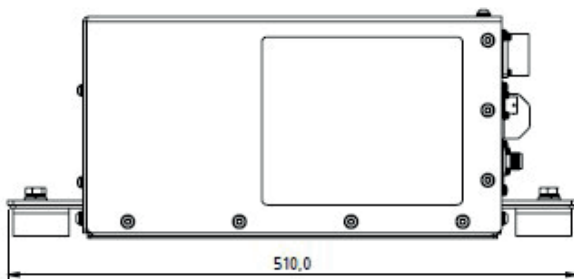
Basically, redressors are electronic devices used for turning AC voltage into DC voltage. They get the alternating electric voltage through their inlet and give that out at requested DC voltage according to their technical specifications through their outputs.

- It can be mounted on the vehicle as DC power supply and battery charging device.
- Being mounted on the vehicle, it can be used as both battery charging device and direct current supply source at the same time with 220 VAC mains power.
- When vehicle engine is started redressor system automatically disengages.
- It gives sound and visual alarm in cases of;
  - High current;
  - High voltage;
  - High temperature errors.
- Redressor is shut down in case of short circuit.
- Thanks to battery temperature measurement feature, it has the feature of adjusting charging current automatically according to battery temperature.

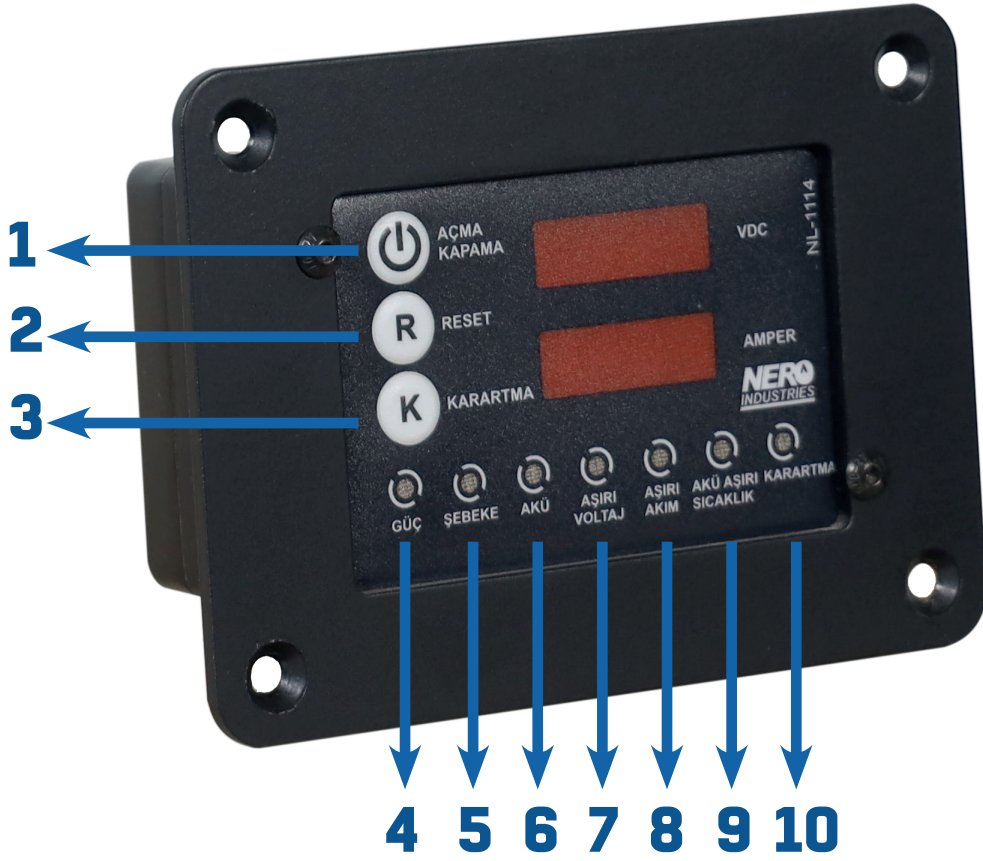
## SPECIFICATIONS

INPUT VOLTAGE	90-264 V AC
INPUT FREQUENCY	50/60Hz
AC INPUT CURRENT	14 AMPS@230 V AC
OUTPUT VOLTAGE	28VDC@FLOAT
OUTPUT CURRENT	80 AMPS MAX.@ 24V DC
MAXIMUM OUTPUT CURRENT	100A@28V DC
OPERATING TEMPERATURE	-20° /+70°
DIMENSIONS	187X510X198 ±5 mm

## CONNECTIONS AND TECHNICAL DRAWING



## RDS-300 CONTROL UNIT



1- SWITCH ON/OFF BUTTON	6- BATTERY LED
2- CIT/RESET BUTTON	7- OVER VOLTAGE LED
3- DIMOUT/HEAT BUTTON	8- OVERCURRENT LED
4- POWER LED	9- BATTERY OVERHEAT LED
5- NETWORK LED	10- DIMOUT LED