



NU-40SGLS 40MM SMOKE GRENADE LAUNCHER SYSTEM



NU-40SGLS
HIMAX
LASER DETECTION AND SMOKE GRENADE LAUNCHER SOLUTIONS

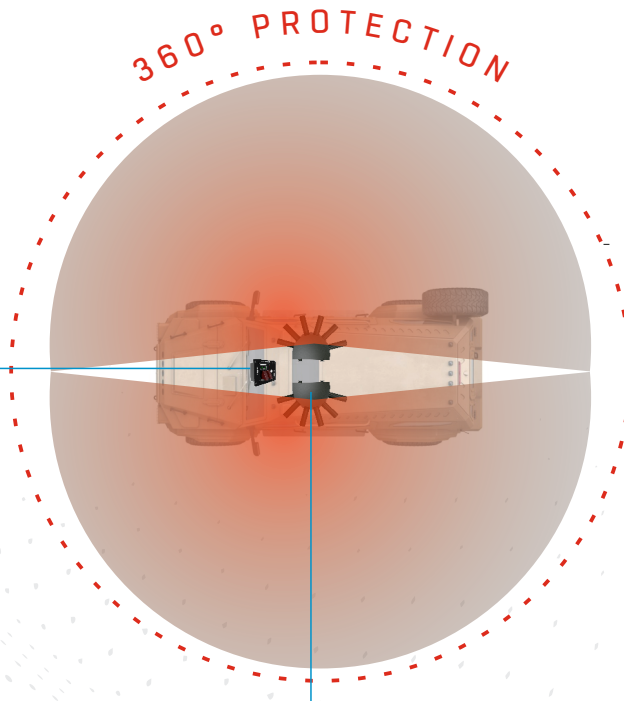
GENERAL INFORMATION

Grenade launcher can be positioned on the vehicle with different options depending on the number of launchers and customer demand. Standard positioning options and effect angles are simulated in the following figures. Usually launchers are mounted on either side of the turret or multiple launchers are mounted on the remote weapon system. For vehicles which are void of a gun turret, launchers are positioned on all sides of the vehicle's roof. Based on the free space, and allow a 360 degrees coverage. This configuration is most suitable for small caliber launchers (4 tubes) and usually consists of 4 up to 16 launchers.

CONTROL UNIT



- Power: 18-36VDC @ Nominal
- Weight : 1.4kg
- Communication: CAN Bus J1939
- Safety Mode
- Launcher error situation
- All launcher activation specification
- Seperate launcher activation specification
- 4-12 launcher contol capacity
- Operating Temperature: -40°C / +65°C
- Storage Temperature: -55°C / +85°C
- IPC-A-610G Class 3 Produced PCB
- MIL-STD-810G, MIL-STD-461, MIL-STD-1275E
- IP67 Water and Dust Ingress Protection
- Corrosion Resistance 800 Hours Salt Spray Test



SPECIFICATIONS

SHELF LIFE	10 years
WEIGHT	11kg ± 0.5kg
CALIBER	40mm
RANGE	From 30m to 150m it depends according to ammunition selected
LENGHT	380mm ± 10mm
WIDTH	574mm ± 10mm
HEIGHT	214mm ± 10mm
BARREL LENGHT	150mm
COATING	Zinc-Nickel
PROTECTION DEGREE	360° - 180° - 120° - 90°
POWER SUPPLY	28VDC Nominal(16-32)
POWER CONSUMPTION	120mA ± 20mA @ 28VDC Nominal
POWER CONSUMPTION	6A ± 2A @ 28VDC Firing Mode
ACTIVATION TYPE	24V 2A for 10 millisecond for each tube
ELECTRICAL RESISTANCE	1 - 3.5Ω

OPTIONS

OPTION I	Pyrotechnical Electrical Activated
OPTION II	Resettable Electric Solenoid Activated

COMPATIBLE AMMUNITION TYPES

- Rubber Pellet Cartridges
- Multi Impact Batons
- Single Impact Rounds
- Smoke Projectiles
- Multi Smoke Projectiles
- Barricade Penetrators
- Blast Dispersion Projectiles
- Muzzle Blast Cartridges
- Distraction Projectiles

DIMENSIONS

